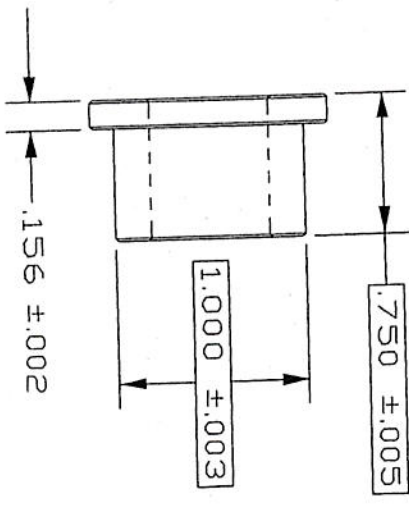
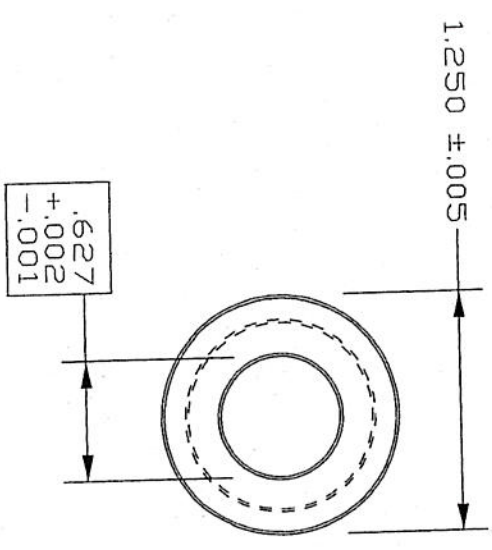
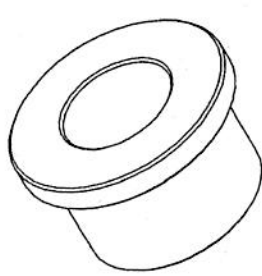


5 4 3 2 1

BUSHING TO BE MADE FROM
DILITE SINTERED BRONZE

REF: BOSTON GEAR #FB-1016-6
BOST.-BRONZ.-OIL IMPREGNATED BRONZE

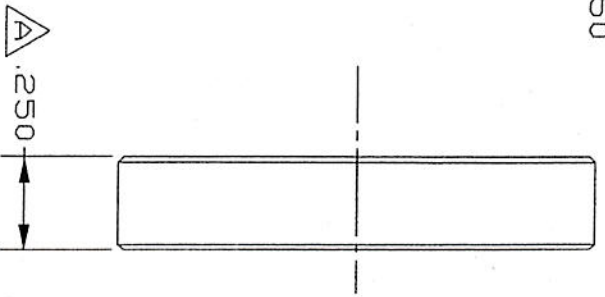
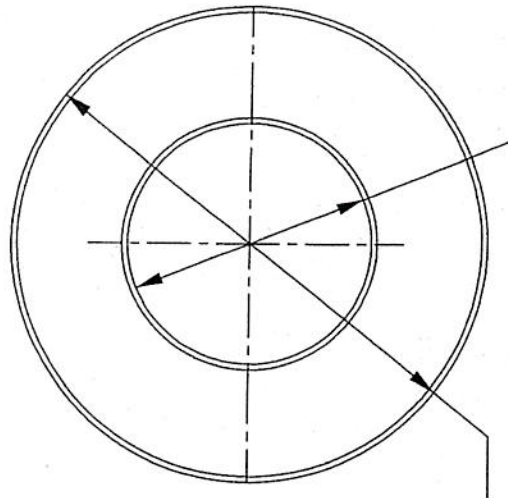
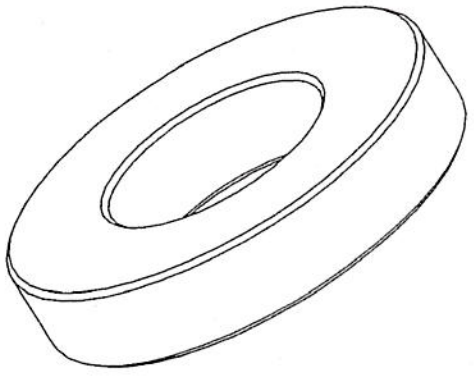
(2) PER OVEN "V" SERIES C.D.



Price - 1 = 5,000

5,000 +- Potential - 40,000 yearly

5 4 3 2 1



- NOTES:
1. BOTH SIDES TO BE CHAMFERED.
 2. ALL CONVECTION OVENS TO RECEIVE 2 PER UNIT.
 3. MATERIAL: SAE 841 SINTERED BRONZE OIL IMPREGNATED.

Price / - 5,000
 5,000 +
 Potential \$40,000 yearly