

8 7 6 5 4 3 2 1

D

C

B

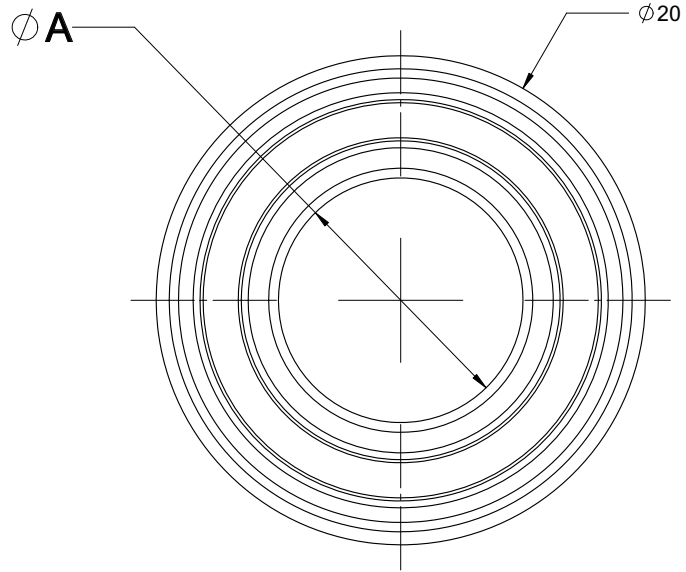
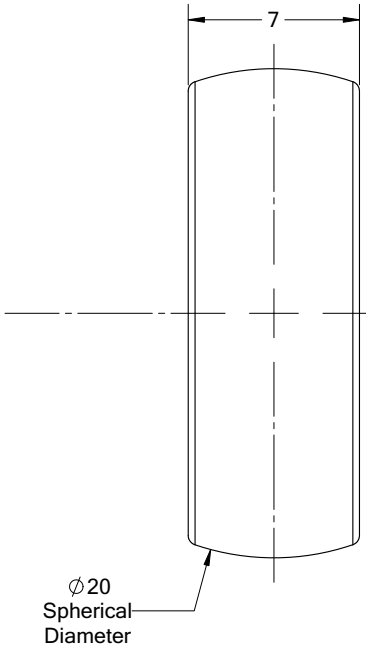
A

D

C

B

A



Nominal	Dimension 'A'	Part Number Prefix	Part Number Suffix
3/8"	0.375 inch	SBS-375	2 RSA3MC3SRL
10 mm	10 mm	SBS-10M	2 RSP6MC3SRL

UNDER DEVELOPMENT

NOTES:

- 1) Outer race, rubber seals, balls, load & speed capacity are common for both sizes
- 2) ABEC 3 / ISO Class 6 Tolerance Class
- 3) 1716 Newtons [175 kg] dynamic load (Ref: 63800HZZP6MC3SRL)
- 4) 37,000 MAX RPM (Ref: 63800HZZP6MC3SRL)
- 5) RoHS Compliant Assembly

PROPRIETARY AND CONFIDENTIAL

UNLESS OTHERWISE SPECIFIED:		NAME	DATE		
DIMENSIONS ARE METRIC		DRAWN	AG	4/21/11	
METRIC TOLERANCES		CHECKED			TITLE:
X	± 1.0 mm				Concept Spherical Miniature Ball Bearing
X.X	± 0.50 mm				
X.XX	± 0.30 mm				
X.XX*	± 1*				
X.XX*	± .25*				
INCH TOLERANCES: (Where Specified)		MATERIAL		SIZE DWG. NO. REV	
X.XX	± 0.01	Stainless Steel		B	110421
X.XXX	± 0.005	FINISH			
X.XXXX	± 0.0005	As Recommended			
FRACTIONAL	± 0.015	DO NOT SCALE DRAWING		SCALE: NTS	WEIGHT:
				SHEET 1 OF 1	

8 7 6 5 4 3 2 1