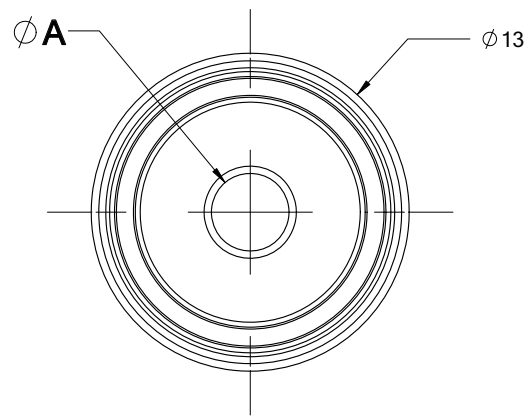
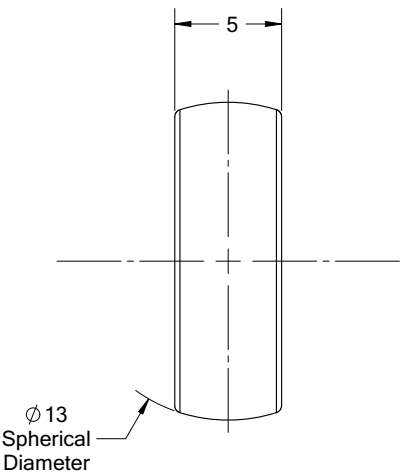


8 7 6 5 4 3 2 1

D
C
B
A



8mm Shown



1/8" Shown

Nominal	Dimension 'A'	Part Number Prefix	Part Number Suffix
1/8"	0.1250	SBS-125	2 RSA3 MC3 SRL
3/16"	0.1875	SBS-187	2 RSA3 MC3 SRL
1/4"	0.2500	SBS-250	2 RSA3 MC3 SRL
5/16"	0.3125	SBS-312	2 RSA3 MC3 SRL
4 mm	4.000	SBS-4 M	2 RSP6 MC3 SRL
5 mm	5.000	SBS-5 M	2 RSP6 MC3 SRL
6 mm	6.000	SBS-6 M	2 RSP6 MC3 SRL
8 mm	8.000	SBS-8 M	2 RSP6 MC3 SRL

UNDER DEVELOPMENT

NOTES:

- 1) Outer race, rubber seals, balls, load & speed capacity will be common across all sizes
- 2) ABEC 3 / ISO Class 6 Tolerance Class
- 3) 560 Newtons [57.1 kg] dynamic load (Ref: SMR128ZZP6MC3SRL)
- 4) 40,000 MAX RPM (Ref: SMR128ZZP6MC3SRL)
- 5) RoHS Compliant Assembly

PROPRIETARY AND CONFIDENTIAL

UNLESS OTHERWISE SPECIFIED:		NAME	DATE		
DIMENSIONS ARE METRIC		DRAWN	AG	1/7/2011	
METRIC TOLERANCES		CHECKED		TITLE:	
X	± 1.0 mm			<h2 style="margin: 0;">Concept Spherical Miniature Ball Bearing</h2>	
X.X	± 0.50 mm				
X.XX	± 0.30 mm				
X.XX	± 1°				
X.XX*	± .25°				
INCH TOLERANCES: (Where Specified)		MATERIAL	Steel, Stainless Steel		
X.XX	± 0.01	FINISH	As recommended		
X.XXX	± 0.005			SIZE	DWG. NO.
X.XXXX	± 0.0005			B	110107
FRACTIONAL ± 0.015					REV
		DO NOT SCALE DRAWING		SCALE: NTS	WEIGHT: N/A
				SHEET 1 OF 1	

8 7 6 5 4 3 2 1